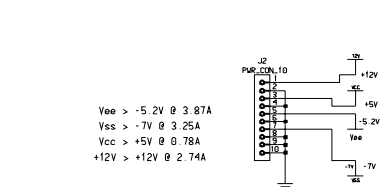
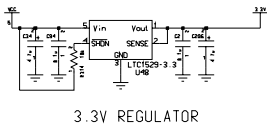


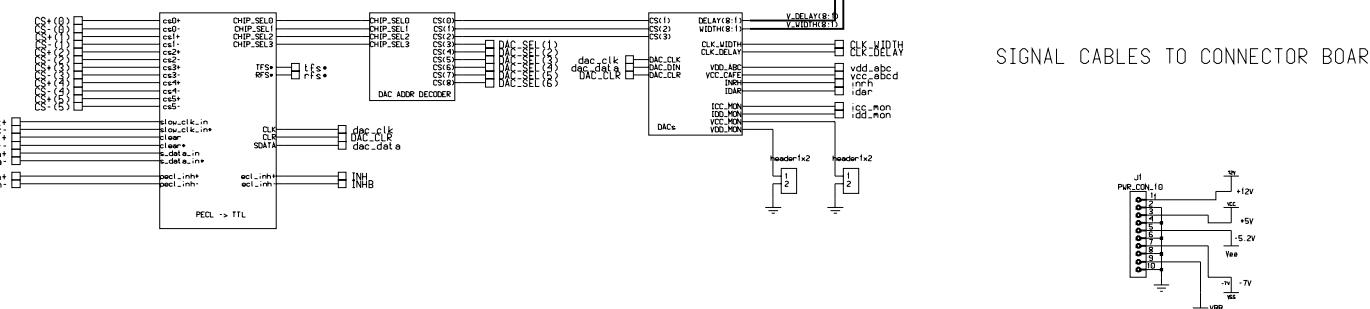
SIGNAL CABLES TO VME BOARD



CONNECTOR FOR EXTERNAL POWER SUPPLIES



SIGNAL CABLES TO CONNECTOR BOARD



POWER CABLE TO CONNECTOR BOARD

Engineer: H. Yaver	Lawrence Berkeley National Laboratory
Drawn by: H. Yaver	1 Cyclotron Road Berkeley, CA 94720
Revised: H. Niggli	TITLE: Probe Card Interface
DOC CTRL CHK:	Top Level
MFG CTRL CHK:	Size 8 1/2 x 11
QA CHK:	REV
Time: 2:58:55 pm	Drawing Number:
Changed by: n.ggl	Page: 1
Date Changed: Sunday, December 5, 1999	