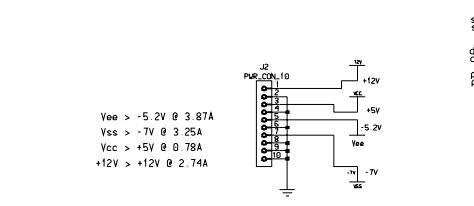
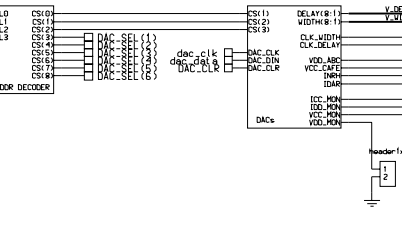
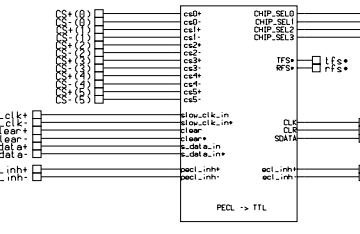


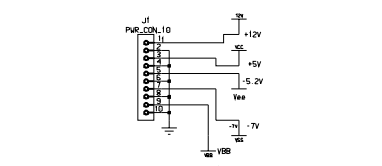
SIGNAL CABLES TO VME BOARD



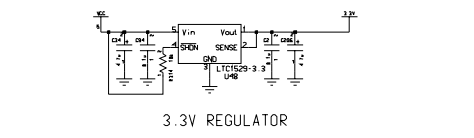
CONNECTOR FOR EXTERNAL POWER SUPPLIES



SIGNAL CABLES TO CONNECTOR BOARD

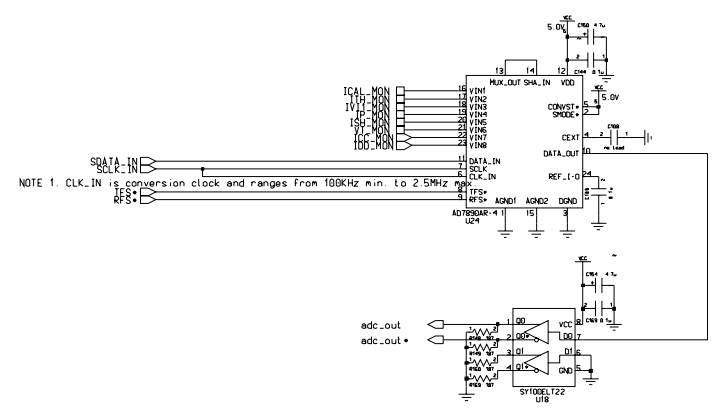
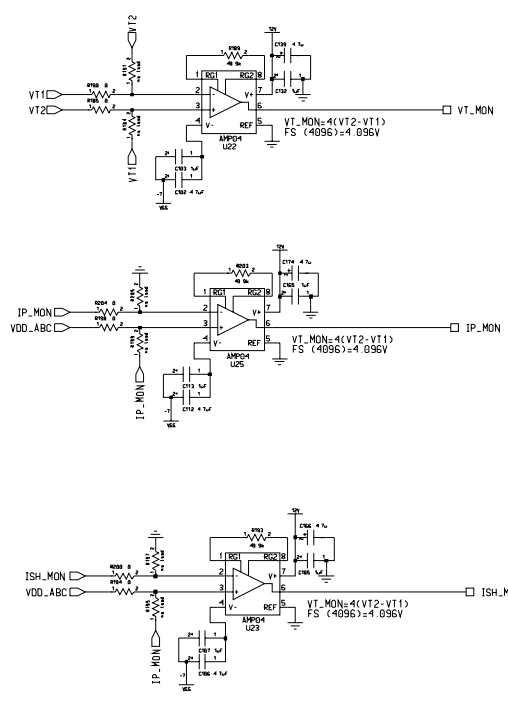
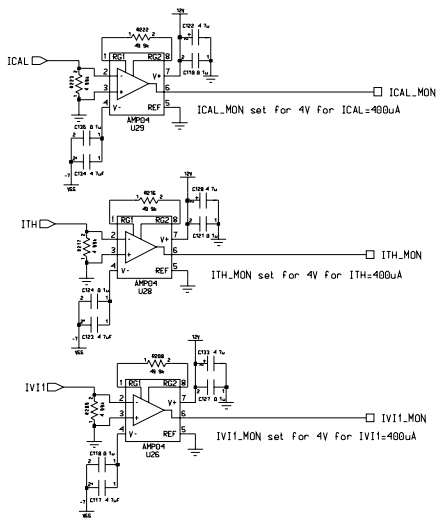


POWER CABLE TO CONNECTOR BOARD



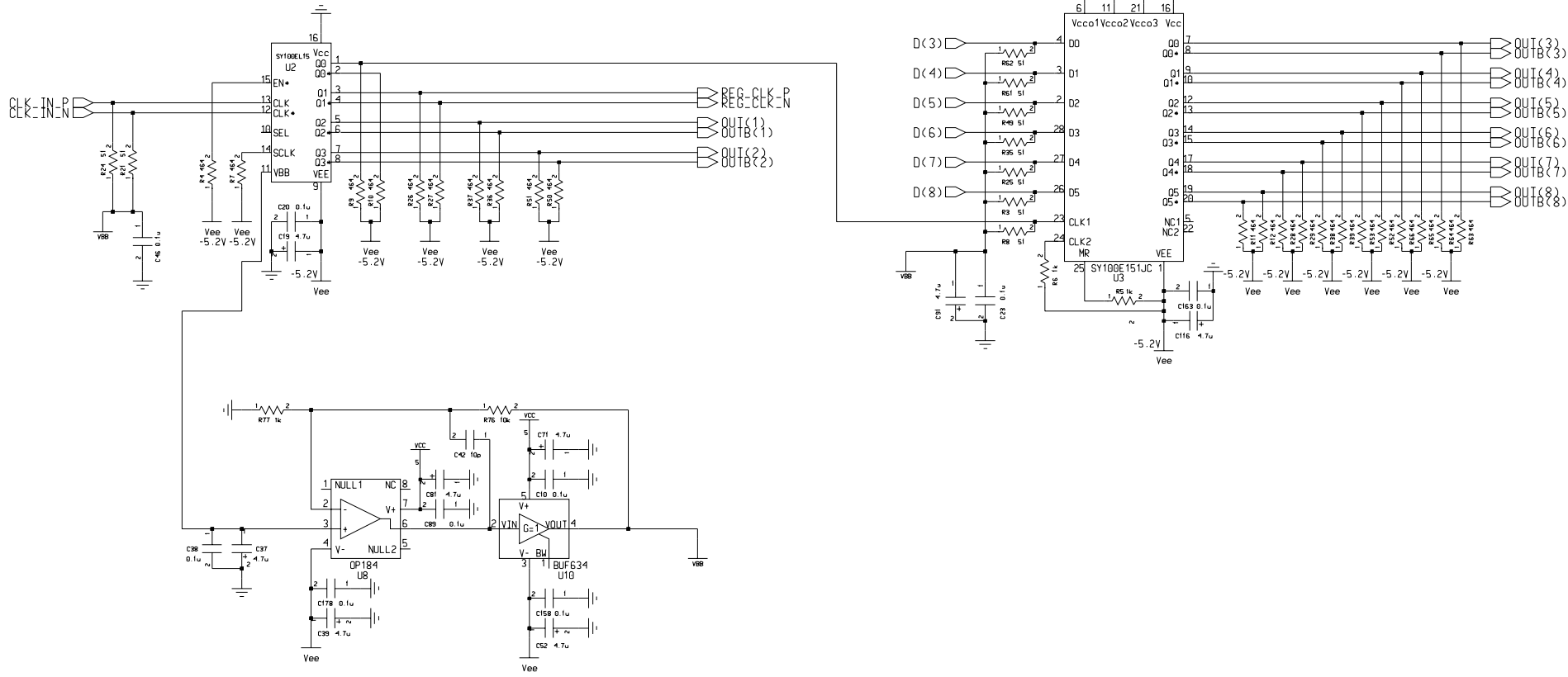
3.3V REGULATOR

Engineer: H. Yaver	Lawrence Berkeley National Laboratory 1 Cyclotron Road Berkeley, CA 94720
Drawn by: H. Yaver	TITLE: Probe Card Interface Top Level
Revised: H. Niggli	
DOC CTRL CHK:	Size: D
MFG CTRL CHK:	* 1 5 *
QA CHK:	REV
Time: 2:58:55 pm	Drawing Number:
Changed by: niggli	Page: 1
Date Changed: Sunday, December 5, 1993	



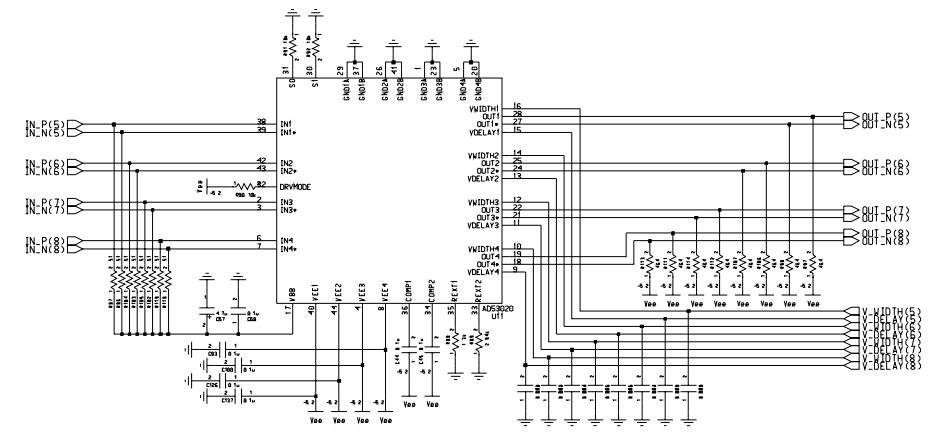
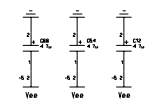
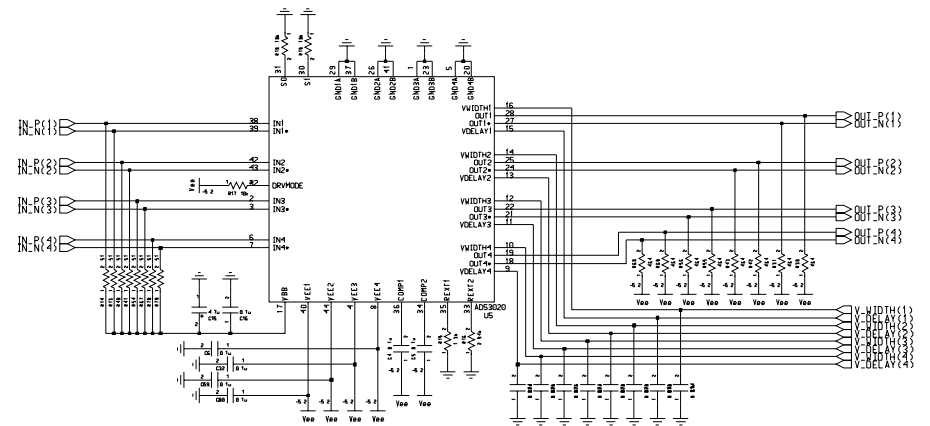
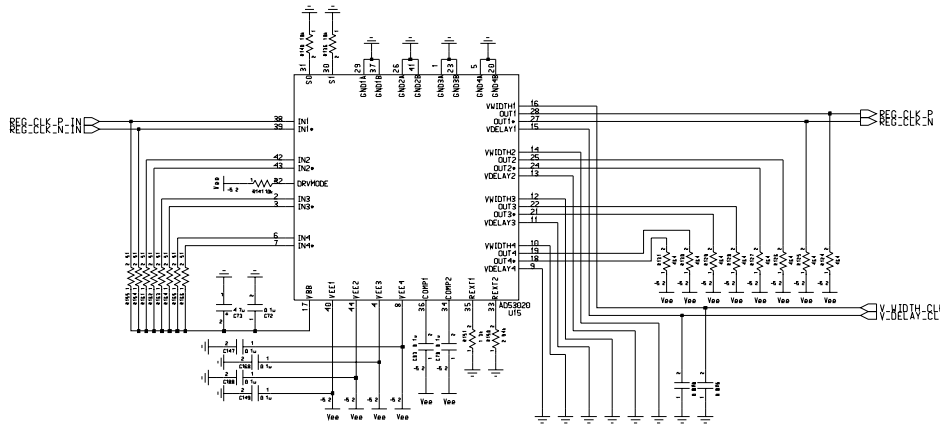
Engineer: H. Yaver	Lawrence Berkeley National Laboratory	
Drawn by: H. Yaver	1 Cyclotron Road	
Revised: H. Niggli	Berkeley, CA 94720	
DOC CTRL CHK:	TITLE: ADC Circuitry	Size: D
MFG CTRL CHK:		* 1 5 *

Changed by: niggli	Date Changed: Monday, December 6, 1999	Time: 11:09:05 am	QA CHK:	REV:	Drawing Number:	Page: 1
-----------------------	---	----------------------	---------	------	-----------------	------------



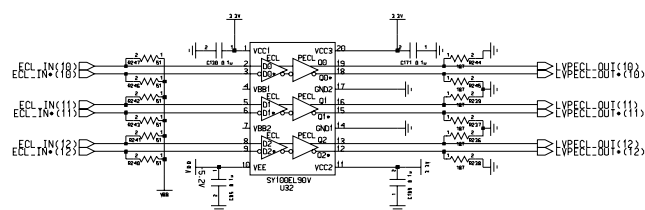
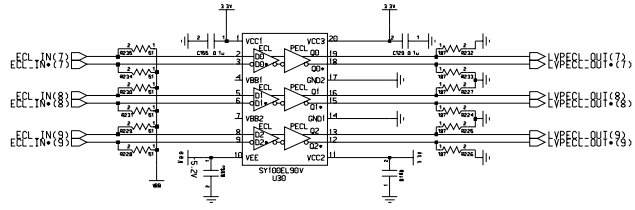
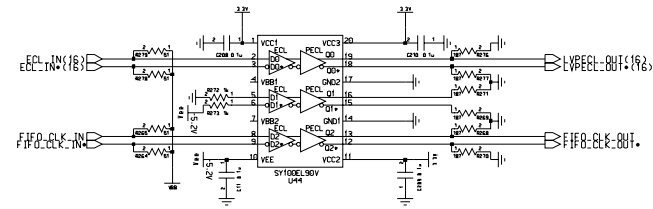
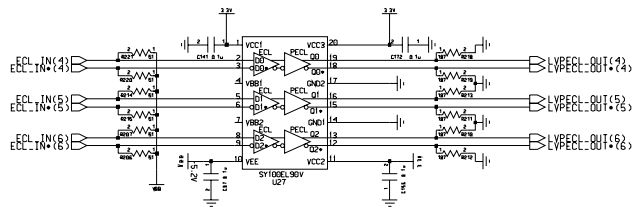
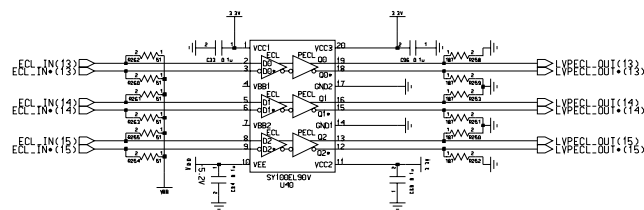
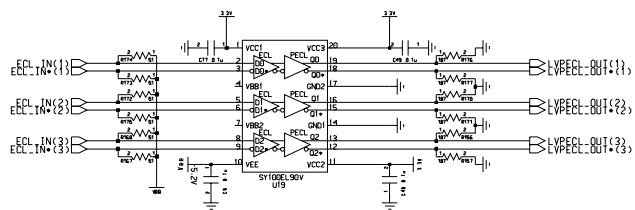
Changed by: niggli	Date Changed: Sunday, December 5, 1999	Time Changed: 3:54:34 pm	QA CHK:	REV	Drawing Number:	Page: 1
-----------------------	---	-----------------------------	---------	-----	-----------------	------------

Engineer: H. Yaver	Lawrence Berkeley National Laboratory 1 Cyclotron Road Berkeley, CA 94720	
Drawn by: H. Yaver	TITLE: Input Registers	Size c
Revised: H. Niggli		
DOC CTRL CHK:		414A
MFG ENGR CHK:		



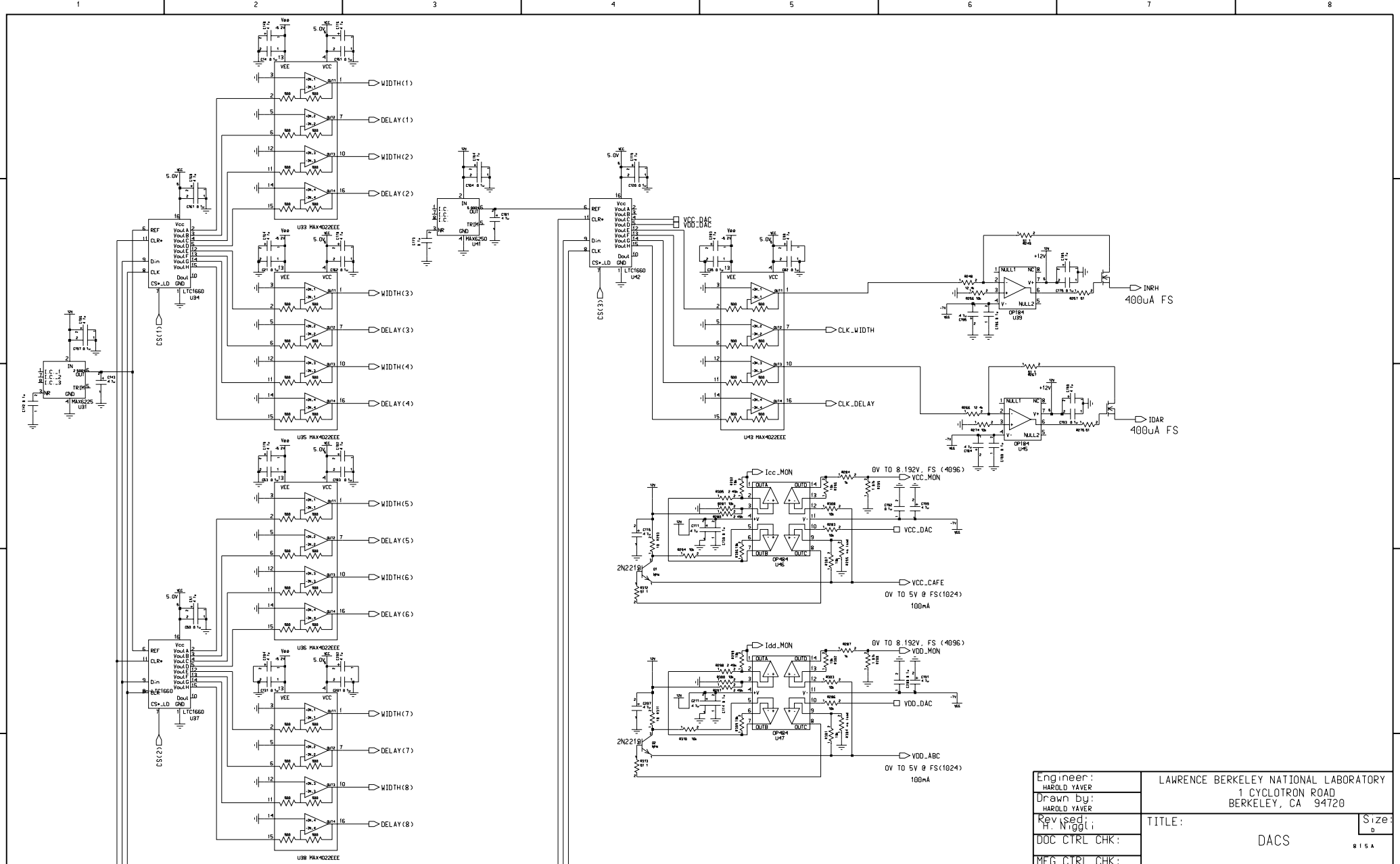
Engineer: H. Yaver	Berkeley National Laboratory 1 Cyclotron Road Berkeley, CA 94720	
Drawn by: H. Yaver	TITLE: Delay Circuitry	Size: D
Revised: H. Niggli		* 1 5 A
DOC CTRL CHK:	MFG CTRL CHK:	

Changed by: n.niggli	Date Changed: Sunday, December 5, 1999	Time: 3:05:37 pm	QA CHK:	REV:	Drawing Number:	Page: 1
-------------------------	---	---------------------	---------	------	-----------------	------------



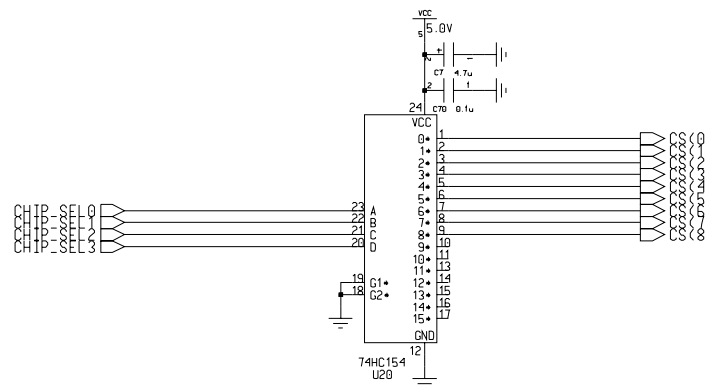
Engineer: HAROLD YAYER	LAWRENCE BERKELEY NATIONAL LABORATORY 1 CYCLOTRON ROAD BERKELEY, CA 94720		
Drawn by: HAROLD YAYER	TITLE:		
Revised: H. Niggli	ECLtLVPECL		
DOC CTRL CHK:	Size: D		
MFG CTRL CHK:	* 1 5 *		

Changed by: yayer	Date Changed: Tuesday, May 25, 1999	Time: 7:48:31 pm	QA CHK:	REV	Drawing Number:	Page: 1
----------------------	--	---------------------	---------	-----	-----------------	------------

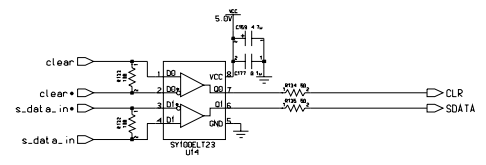
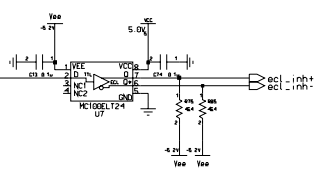
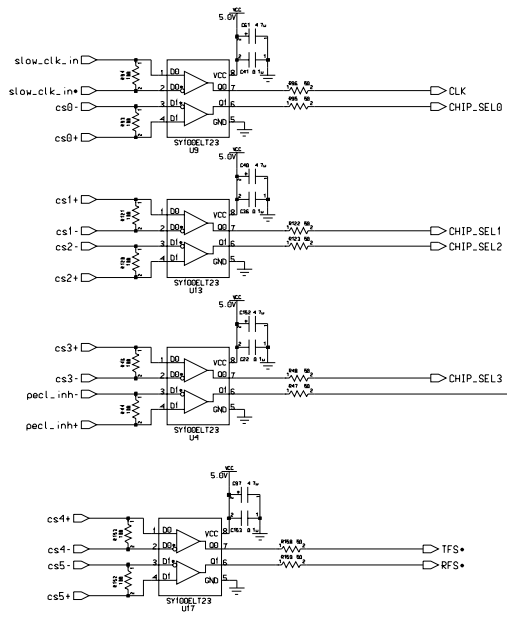


Engineer: HAROLD YAYER	LAWRENCE BERKELEY NATIONAL LABORATORY 1 CYCLOTRON ROAD BERKELEY, CA 94720		
Drawn by: HAROLD YAYER	TITLE:		
Revised by: H. Niggli	DACs		
DOC CTRL CHK:	MFG CTRL CHK:		
QA CHK:	REV:	Drawing Number:	Page: 1

Changed by: yayer	Date Changed: Tuesday, May 25, 1999	Time: 1:30:01 pm	QA CHK:	REV:	Drawing Number:	Page: 1
----------------------	--	---------------------	---------	------	-----------------	------------

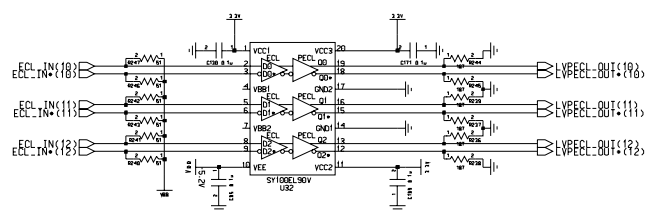
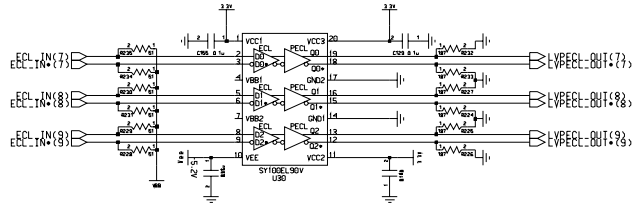
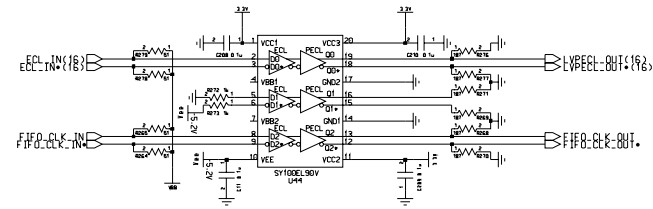
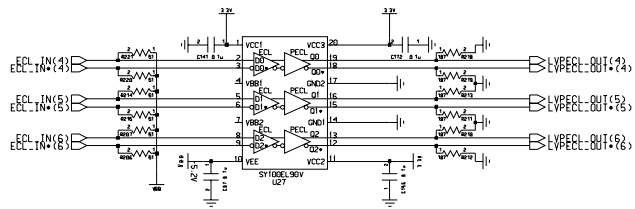
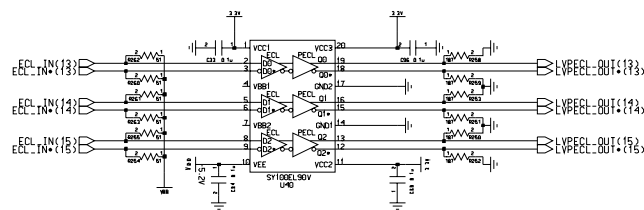
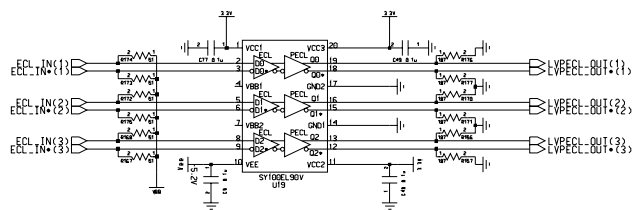


Engineer: H. Yaver	Lawrence Berkeley National Laboratory		
Drawn by: H. Yaver	1 Cyclotron Road Berkeley, CA 94720		
Revised: H. Niggli	TITLE: dac_addr_decoder	Size: c	
DOC CTRL CHK:		4 1 4 A	
MFG ENGR CHK:			
QA CHK:	REV	Drawing Number:	
Changed by: niggli	Date Changed: Monday, December 6, 1999	Time Changed: 9:31:08 am	Page: 1



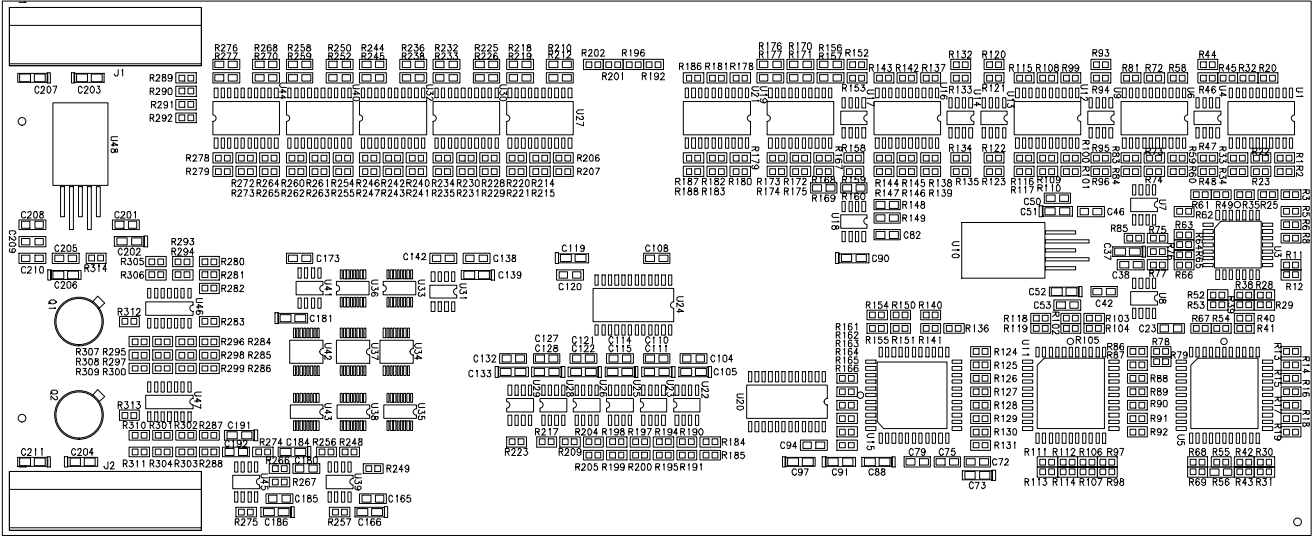
Engineer: HAROLD YAYER	LAWRENCE BERKELEY NATIONAL LABORATORY	
Drawn by: HAROLD YAYER	1 CYCLOTRON ROAD	
R&D CHK:	BERKELEY, CA 94720	
DOC CTRL CHK:	TITLE:	Size: D
MFG CTRL CHK:	DATA_LINK	
QA CHK:	REV:	* 1 5 A
Time:	Drawing Number:	Page:

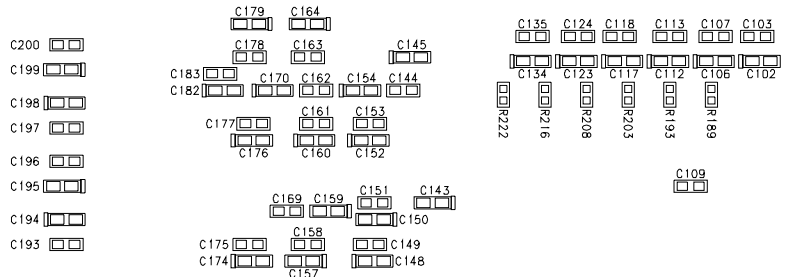
Changed by: yayer	Date Changed: Wednesday, Apr 17, 1999	Time: 12:19:23 pm	QA CHK:	REV:	Drawing Number:	Page: 1
----------------------	--	----------------------	---------	------	-----------------	------------



Engineer: HAROLD YAYER	LAWRENCE BERKELEY NATIONAL LABORATORY 1 CYCLOTRON ROAD BERKELEY, CA 94720	
Drawn by: HAROLD YAYER	TITLE: ECLtoLVPECL	Size: D
Revised: H. Niggli		* 1 5 *
DOC CTRL CHK:		
MFG CTRL CHK:		

Changed by: yayer	Date Changed: Tuesday, May 25, 1999	Time: 7:48:31 pm	QA CHK:	REV	Drawing Number:	Page: 1
----------------------	--	---------------------	---------	-----	-----------------	------------

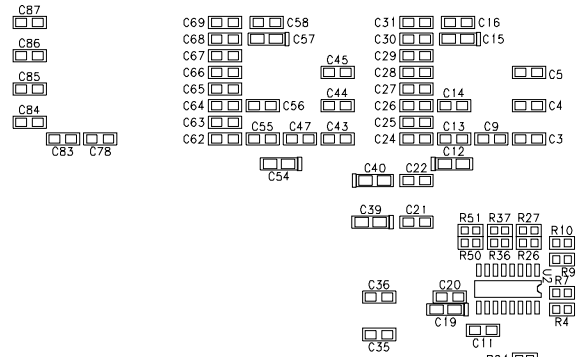




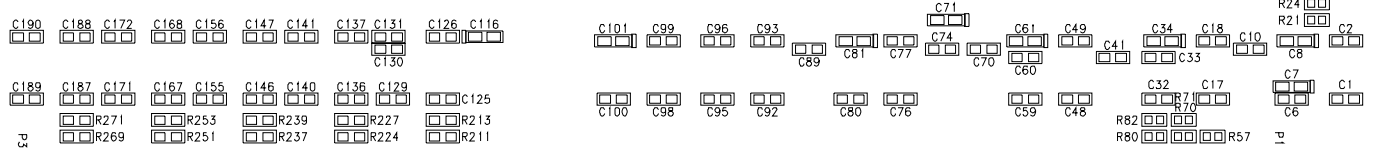
- C200
- C199
- C198
- C197
- C196
- C195
- C194
- C193



3



2



23



2