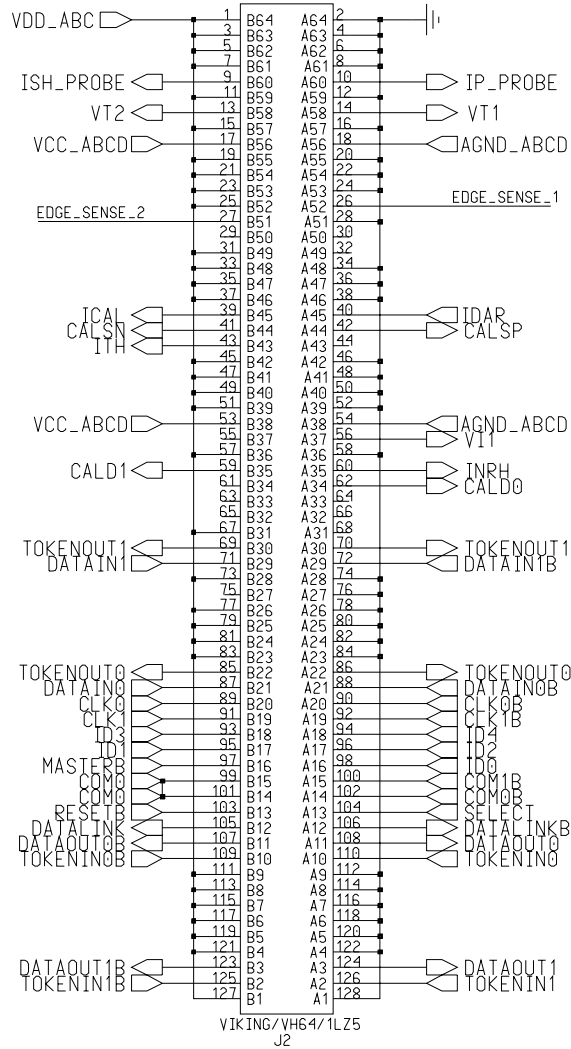
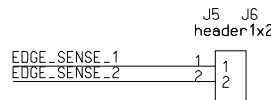
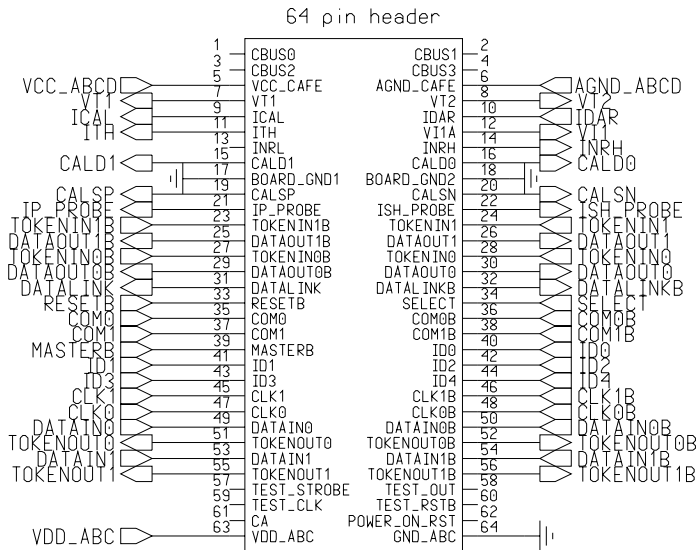


THIS SIDE OF THE CONNECTOR IS THE BOTTOM SIDE IN THE LAYOUT



VIKING/VH64/1LZ5
J2

THIS SIDE OF THE CONNECTOR IS THE TOP SIDE IN THE LAYOUT



Engineer: H. Yaver	Lawrence Berkeley National Laboratory		Size: B
Drawn by: H. Yaver	1 Cyclotron Road Berkeley, CA 94720		4 1 4 A
Revised by: H. Niggli	TITLE: PROBE CARD AND TEST CARD CONNECTORS		
DOC CTRL CHK:			
MFG ENGR CHK:			
Changed by: niggli	Date Changed: Thursday, November 25, 1999	Time Changed: 4:18:08 pm	
QA CHK:	REV: 2	Drawing Number:	Page: 1