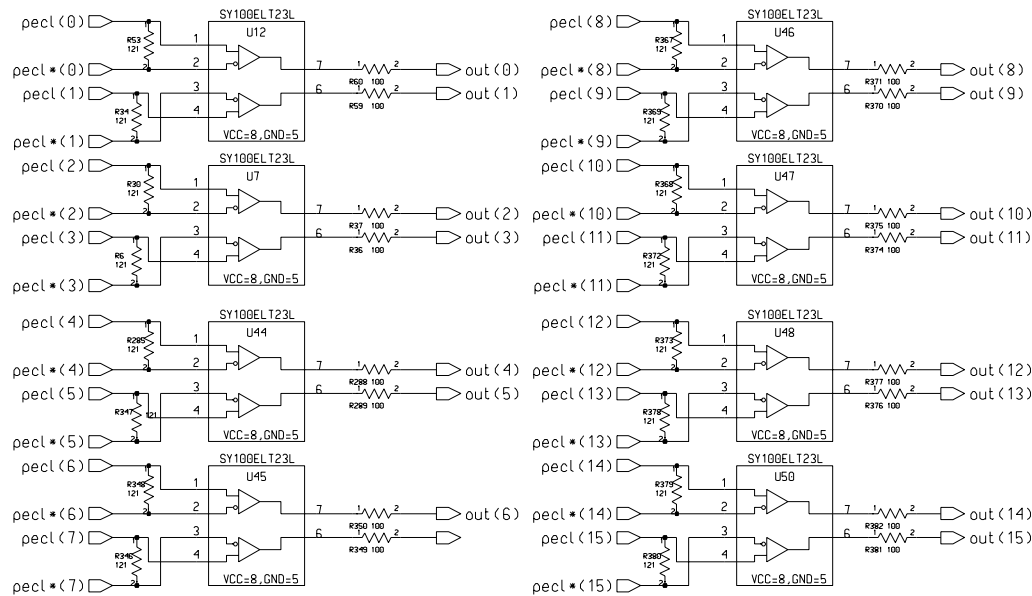
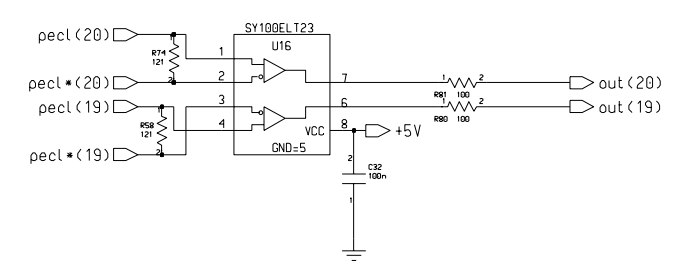


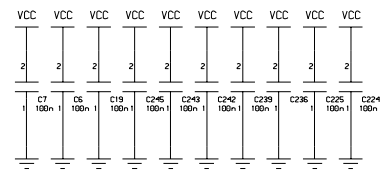
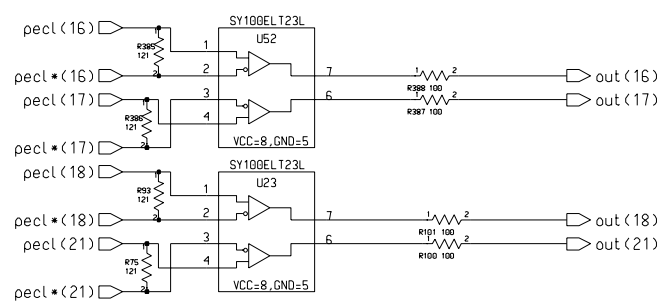
3.3 V PARTS



5 V PARTS



all outputs 100 Ohm traces



PLACE 1 CAP AT EACH VCC PIN

Engineer: H. Niggli	LBNL 1 Cyclotron Road Berkeley, CA 94720		Size c
Drawn by: H. Niggli			
R&D CHK:	TITLE:	LVPECL Receivers	
DOC CTRL CHK:		414 A	
MFG ENGR CHK:			

Changed by: niggli	Date Changed: Wednesday, April 21, 1999	Time Changed: 10:16:18 am	QA CHK:	REV	Drawing Number:	Page: 1
-----------------------	--	------------------------------	---------	-----	-----------------	------------