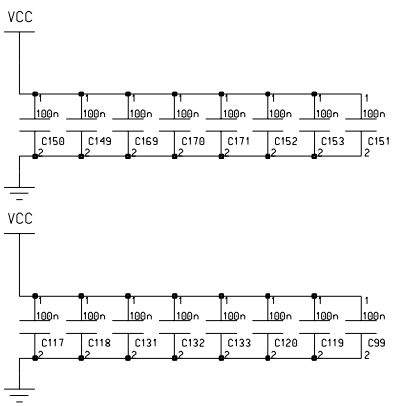


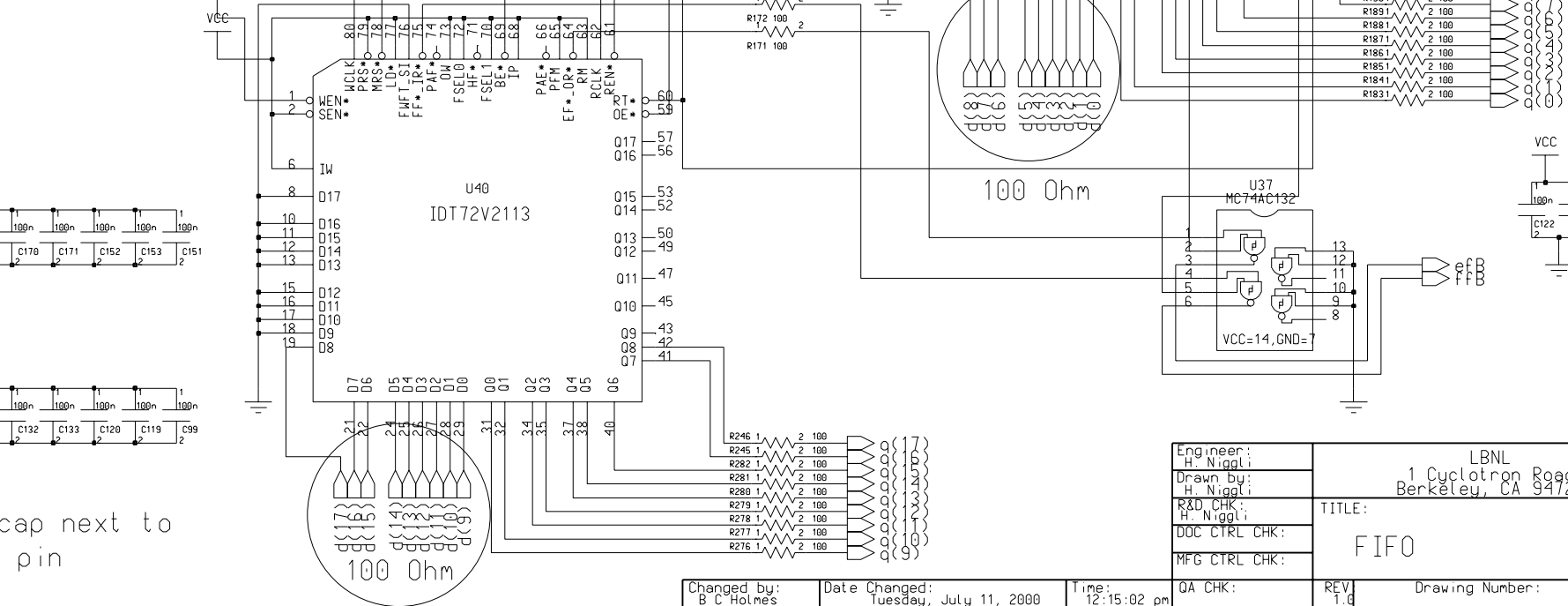
WCLK: 100 Ohm

WCLK(1)
WCLK(0)
WCLK(2)
WCLK(3)
WCLK(4)
WCLK(5)
WCLK(6)
WCLK(7)
wenB

rtD
msB



place 1 cap next to each vcc pin



Engineer: H. Niggl	LBNL 1 Cyclotron Road Berkeley, CA 94720		
Drawn by: H. Niggl	TITLE: FIFO	Size D 8 1 5 A	
R&D CHK: H. Niggl			
DOC CTRL CHK:			
MFG CTRL CHK:			
QA CHK:	REV: 1.0	Drawing Number:	
Changed by: B C Holmes	Date Changed: Tuesday, July 11, 2000	Time: 12:15:02 pm	Page: 1