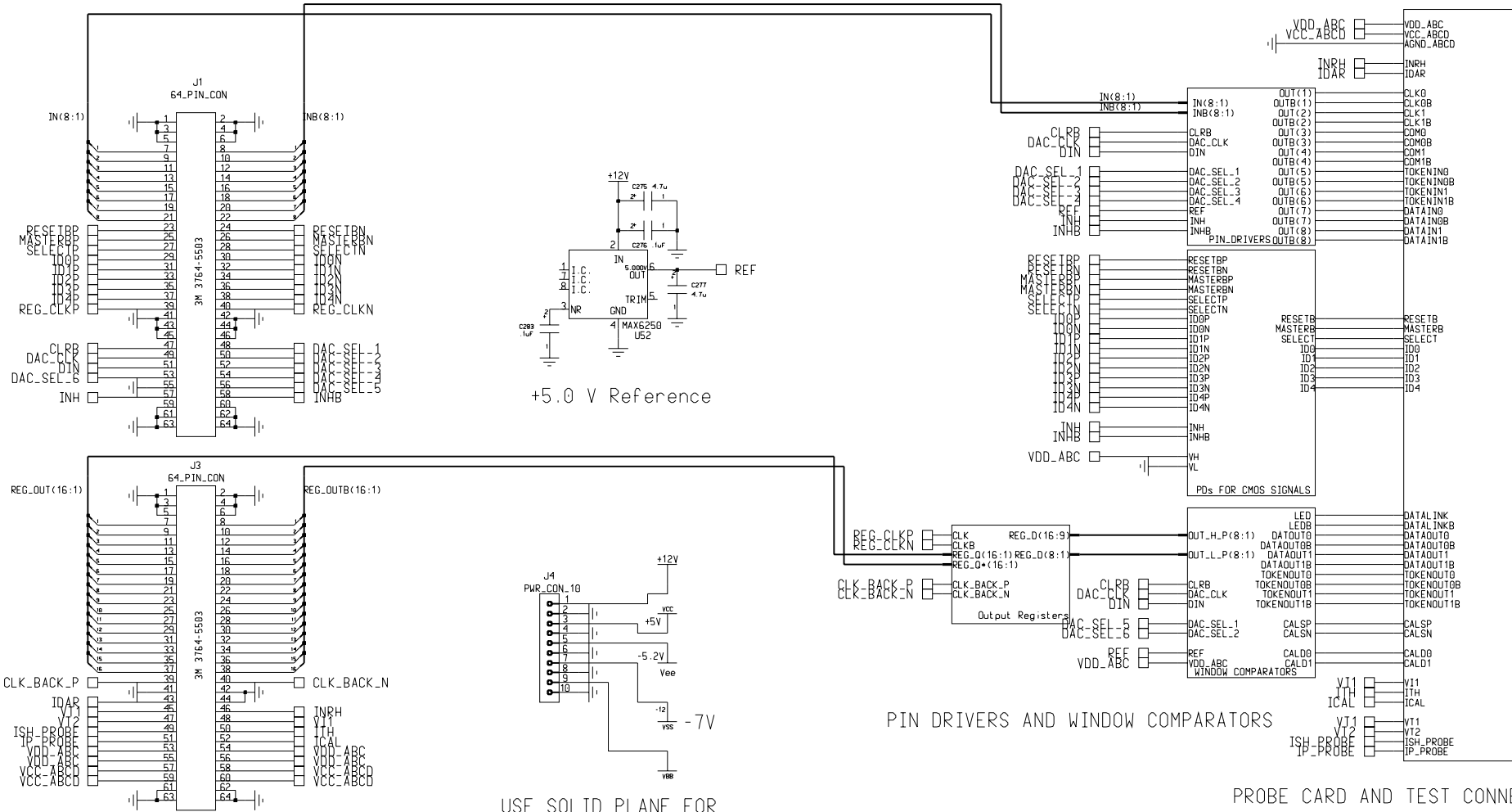


# PROBECARD\_CON



USE SOLID PLANE FOR +12V, +5V, VEE, VSS, GND AND VBB

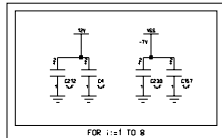
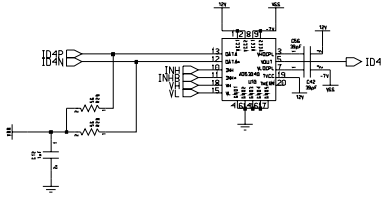
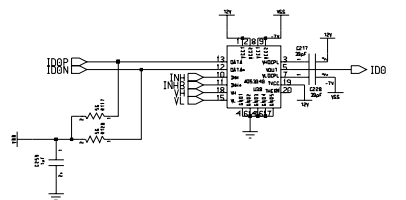
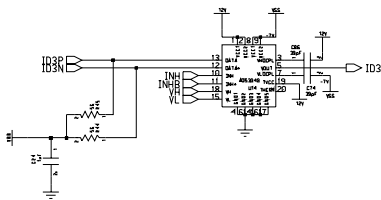
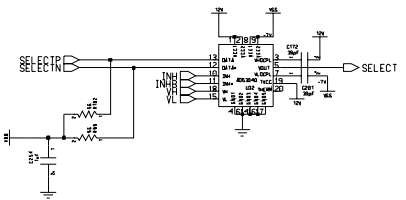
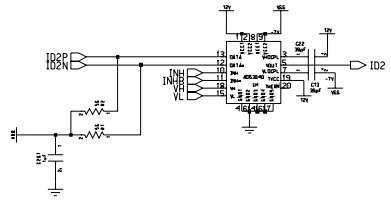
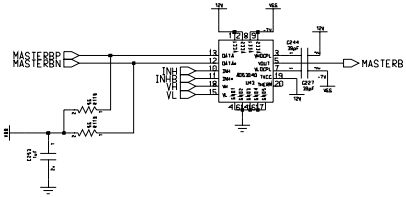
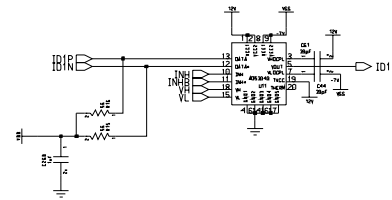
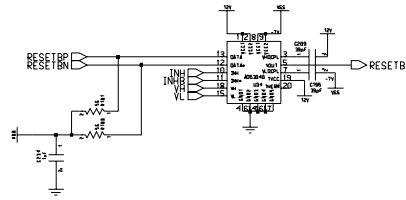
SIGNAL CABLES FROM INTERFACE BOARD

POWER CABLE FROM INTERFACE BOARD

PROBE CARD AND TEST CONNECTOR

Engineer: H. Yaver	Lawrence Berkeley National Laboratory 1 Cyclotron Road Berkeley, CA 94720	
Drawn by:		
Revised: H. Niggli	TITLE: ProbeCard Connector Board	Size: c
DOC CTRL CHK:		414A
MFG ENGR CHK:		

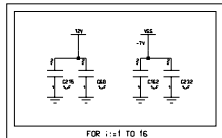
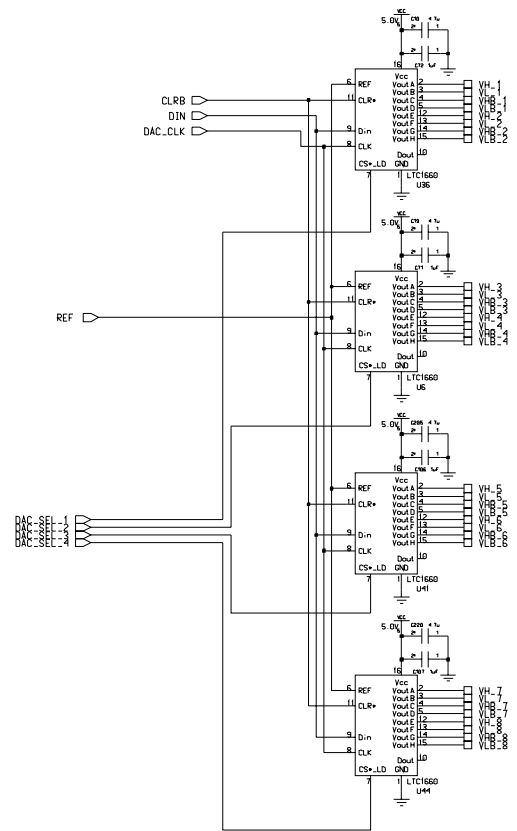
Changed by: niggli	Date Changed: Friday, November 26, 1999	Time Changed: 8:25:56 pm	QA CHK:	REV	Drawing Number:	Page: 1
-----------------------	--	-----------------------------	---------	-----	-----------------	------------



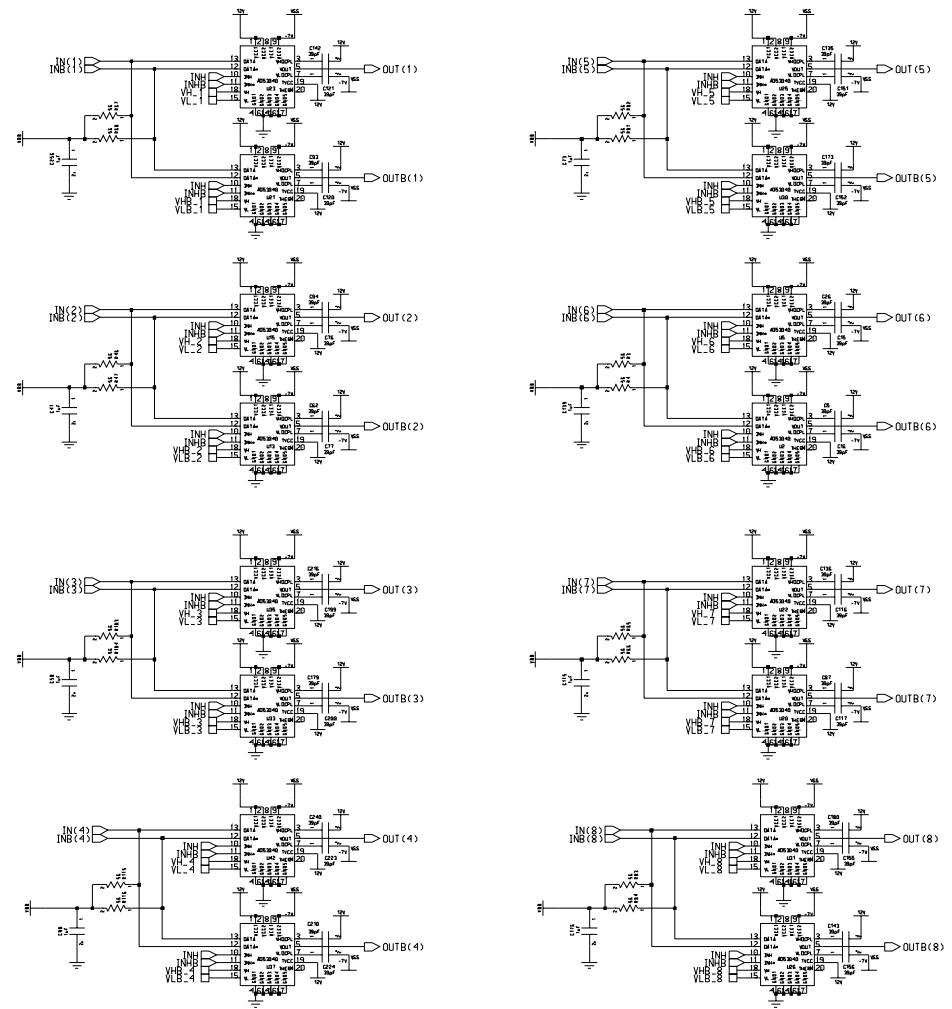
PLACE 4 BYPASS CAPS AT EACH AD53040

Engineer: H. Yaver	Lawrence Berkeley National Laboratory		
Drawn by: H. Yaver	1 Cyclotron Road		
Revised: H. Niggli	Berkeley, CA 94720		
DOC CTRL CHK:	TITLE: PinDrivers for	Size: D	
MFG CTRL CHK:	CMOS Level Signals	* 1 5 *	

Changed by: niggli	Date Changed: Friday, November 26, 1999	Time: 4:00:10 pm	QA CHK:	REV	Drawing Number:	Page: 1
-----------------------	--	---------------------	---------	-----	-----------------	------------

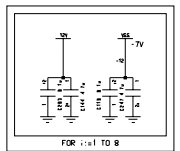
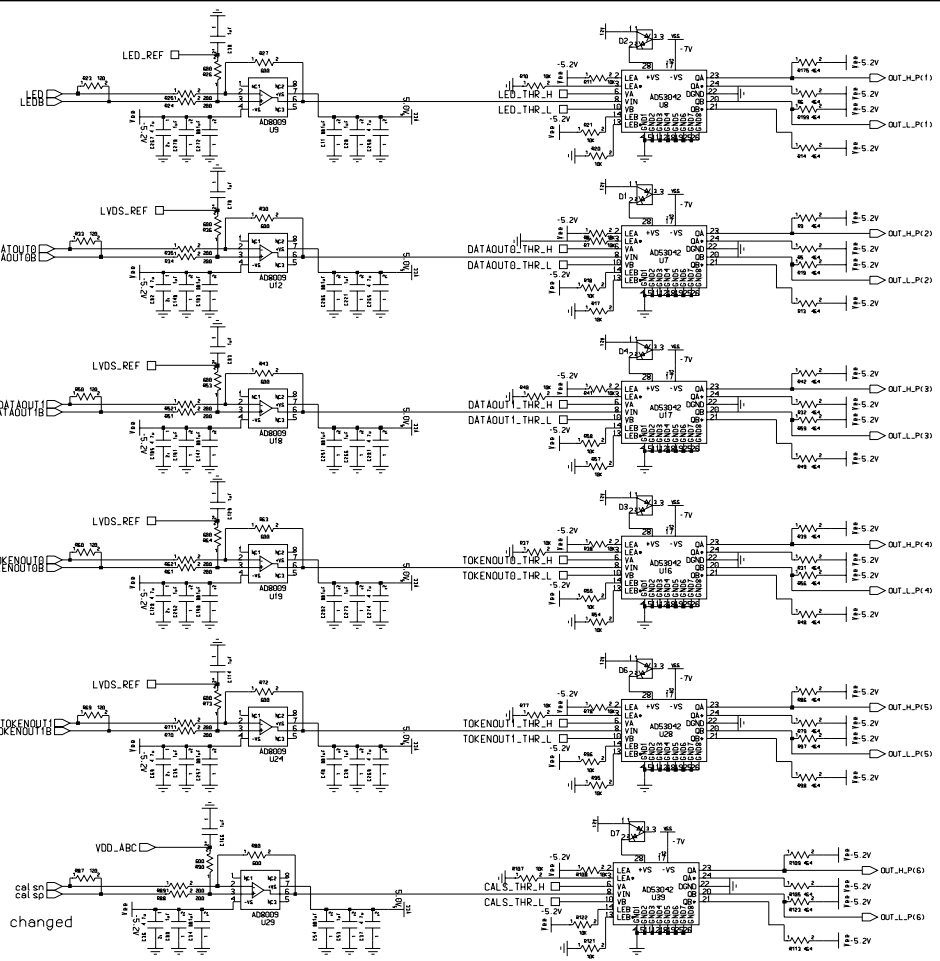
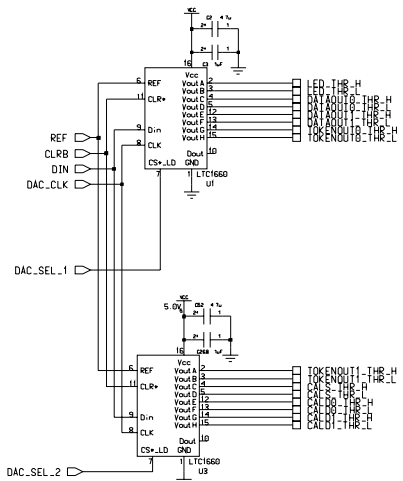
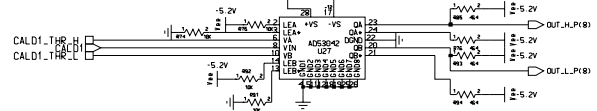
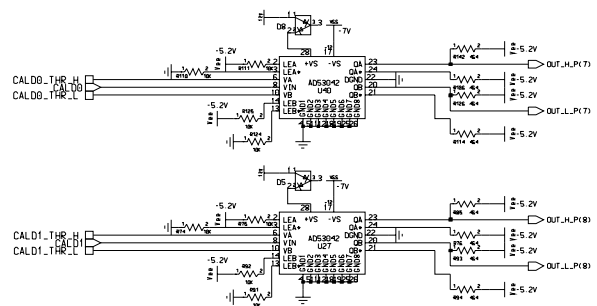


PLACE 4 BYPASS CAPS AT EACH AD53040

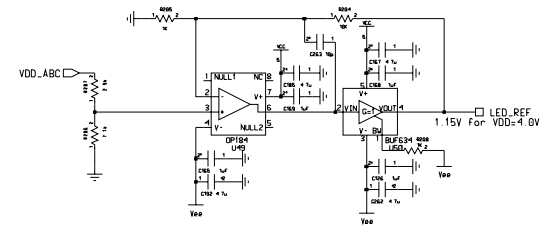
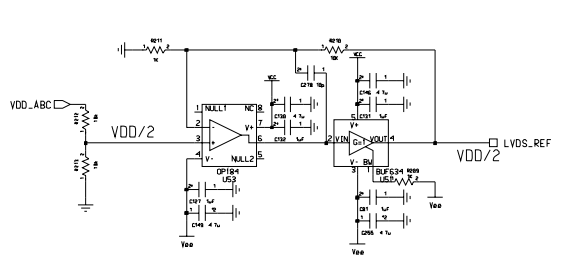


Engineer: H. Yaver	Lawrence Berkeley National Laboratory	
Drawn by: H. Yaver	1 Cyclotron Road	
Revised: H. Niggli	Berkeley, CA 94720	
DOC CTRL CHK:	TITLE:	Size: D
MFG CTRL CHK:	PinDrivers	* 1 5 A

Changed by: n.n.ggl.	Date Changed: Thursday, November 25, 1999	Time: 6:20:33 am	QA CHK:	REV: 2	Drawing Number:	Page: 1
-------------------------	--	---------------------	---------	-----------	-----------------	------------

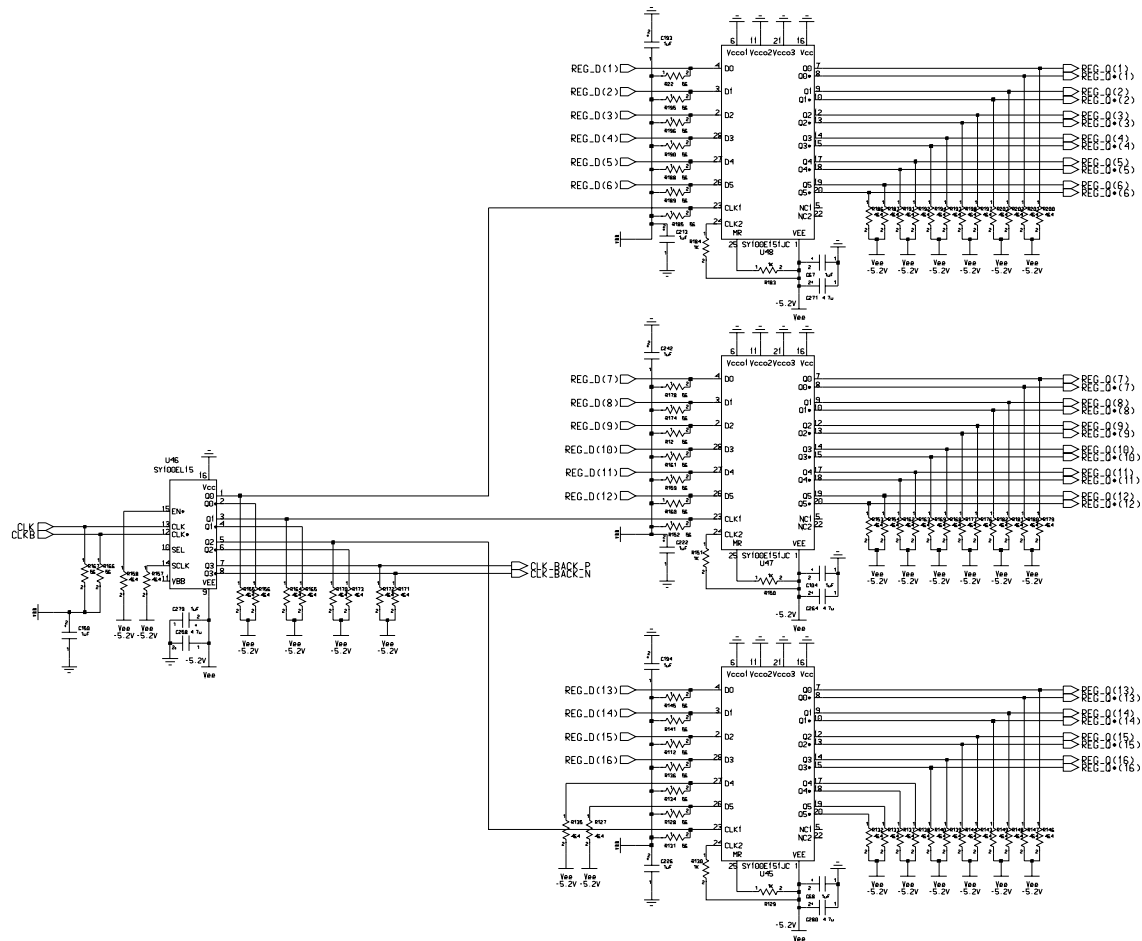


PLACE 4 CAPS AT EACH AD5304Z



Engineer: H. Yaver	LAWRENCE BERKELEY NATIONAL LABORATORY 1 CYCLOTRON ROAD BERKELEY, CA 94720
Drawn by: H. Yaver	
Revised: H. Niggli	TITLE: Window Comparators
DOC CTRL CHK:	
MFG CTRL CHK:	Size: D

Changed by: niggli	Date Changed: Friday, November 26, 1999	Time: 7:37:59 am	QA CHK:	REV:	Drawing Number:	Page: 1
-----------------------	--	---------------------	---------	------	-----------------	------------



Note: All resistors are 0603 SMT.  
 All polarized capacitors are size A SMT, 10V.  
 All .1uF capacitors are 0805 SMT.

Engineer: H. Yaver	LAWRENCE BERKELEY NATIONAL LABORATORY 1 CYCLOTRON ROAD BERKELEY, CA 94720
Drawn by: H. Yaver	
Revised: H. Niggli	TITLE:  Output Registers
DOC CTRL CHK:	
MFG CTRL CHK:	

Changed by: yaver	Date Changed: Wednesday, July 14, 1999	Time: 1:30:25 pm	QA CHK:	REV:	Drawing Number:	Page: 1
----------------------	---	---------------------	---------	------	-----------------	------------



